



BVK3-40-DU

SEMI-AUTOMATIC
BALANCING MACHINE



Features:

Vertical manual balancing machine capable of balancing on one plane (static), all the disc shape parts.

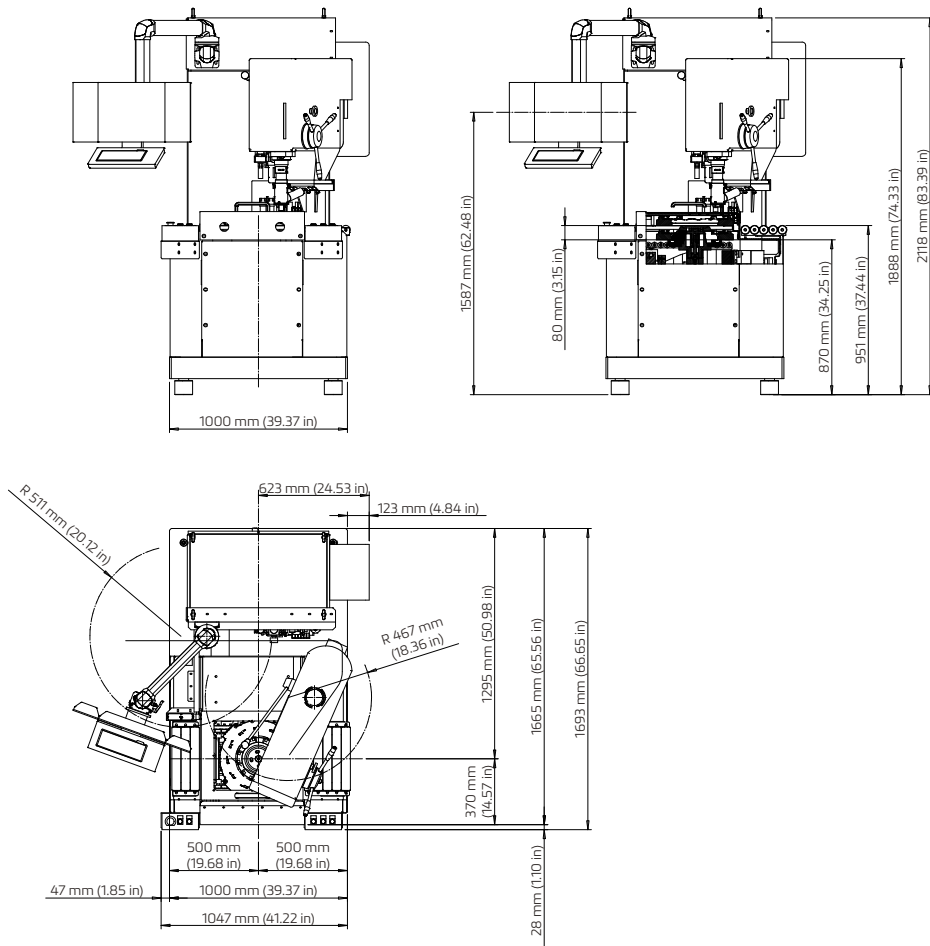
It is composed of; a measuring unit, a vertical drilling.

Parts manipulation performed by the operator.

The unbalance is manually corrected by embedded axial drilling unit (maximum drill bit diameter 20mm).

Advantages:

- Compact machine
- High level of flexibility
- High measuring repeatability
- High balancing precision
- Quick changeover
- User friendly



Technical data

Max rotor external diameter:	430 mm (16.93 in)
Max rotor internal diameter:	260 mm (10.24 in)
Max rotor height:	40 mm (1.57 in)
Max rotor weight:	50 kg (110.23 lb)
Cycle time:	< 60 s
Balancing method:	Axial drilling
Balancing speed:	500-700 rpm
Controlled by:	Industrial PC
Power:	6 kVA
Power supply:	400-480V+PE three-phase 50/60 Hz
Machine weight:	2000 kg (4409.24 lb)
Machine dimensions (LxWxH):	1150x1700x2120 mm (45.28x66.93x83.46 in)

Options

Operating unit (drilling)
Tele-service
Industrial vacuum cleaner
SPC / SW
Master rotor



TIRGAN
VIBRATION ANALYSIS & CONDITION MONITORING EQUIPMENT

www.tirgan.org

TIRGAN Co. Ltd. (Official Agent in Iran)
Add.: Unit 6, No. 52, Jouybar St., Tehran - 1415795361, IRAN
Tel. +98 21 88996360 Fax. +98 21 88992367
info@tirgan.org

تیرگان تراز پایان (نماینده رسمی در ایران)
نشانی: تهران، خیابان جویبار، پلاک ۵۲، شماره ۶، کد پستی: ۱۴۱۵۷۹۵۳۶۱
تلفن: ۰۲۱-۸۸۹۹۶۳۵۸-۶۰ فکس: ۰۲۱-۸۸۹۹۲۳۶۷

Specifications may be subject to change without notice - © 2017 - Balance Systems S.r.l.

Balance Systems S.r.l.
Via Roberto Ruffilli, 8/10
20060 Pessano con Bornago
(Milan) - Italy
Tel. (+39) 02.9504955
Fax (+39) 02.9504977
info@balancesystems.it
www.balancesystems.com

